

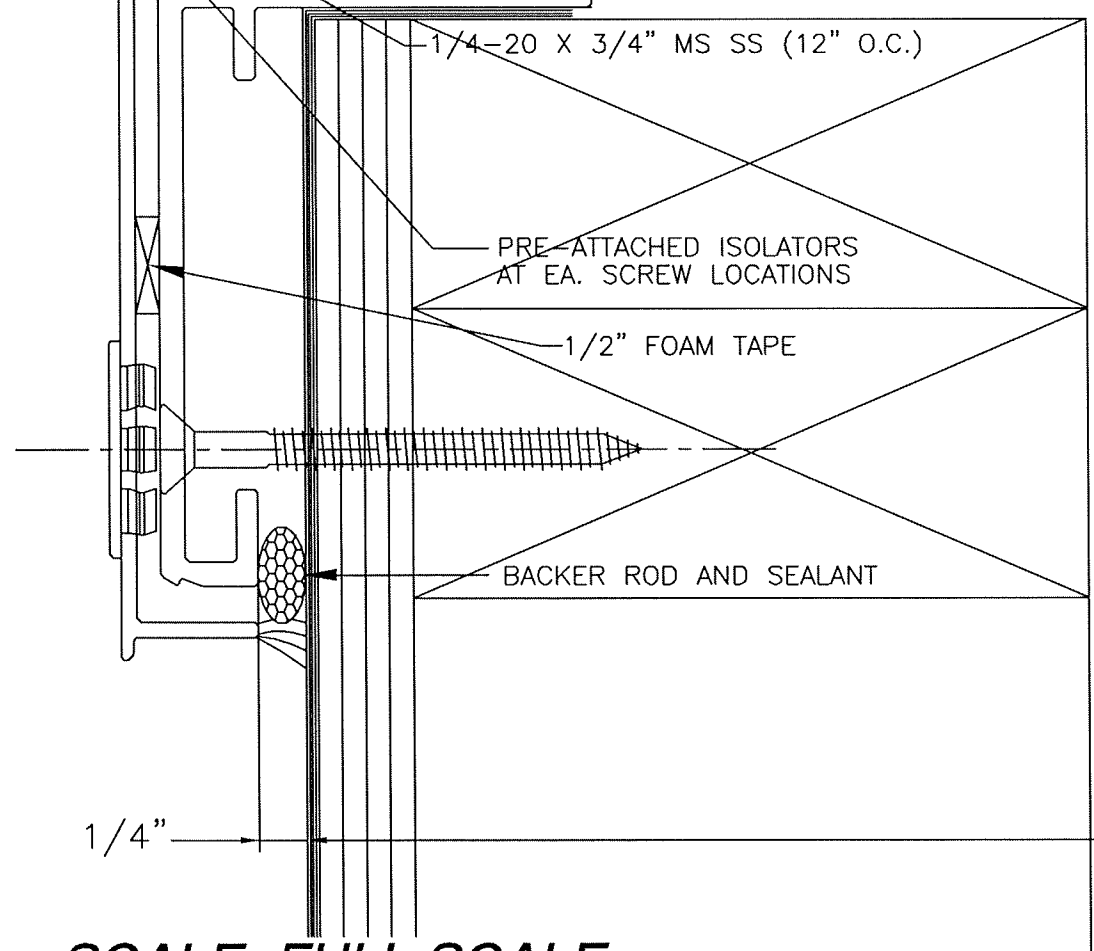
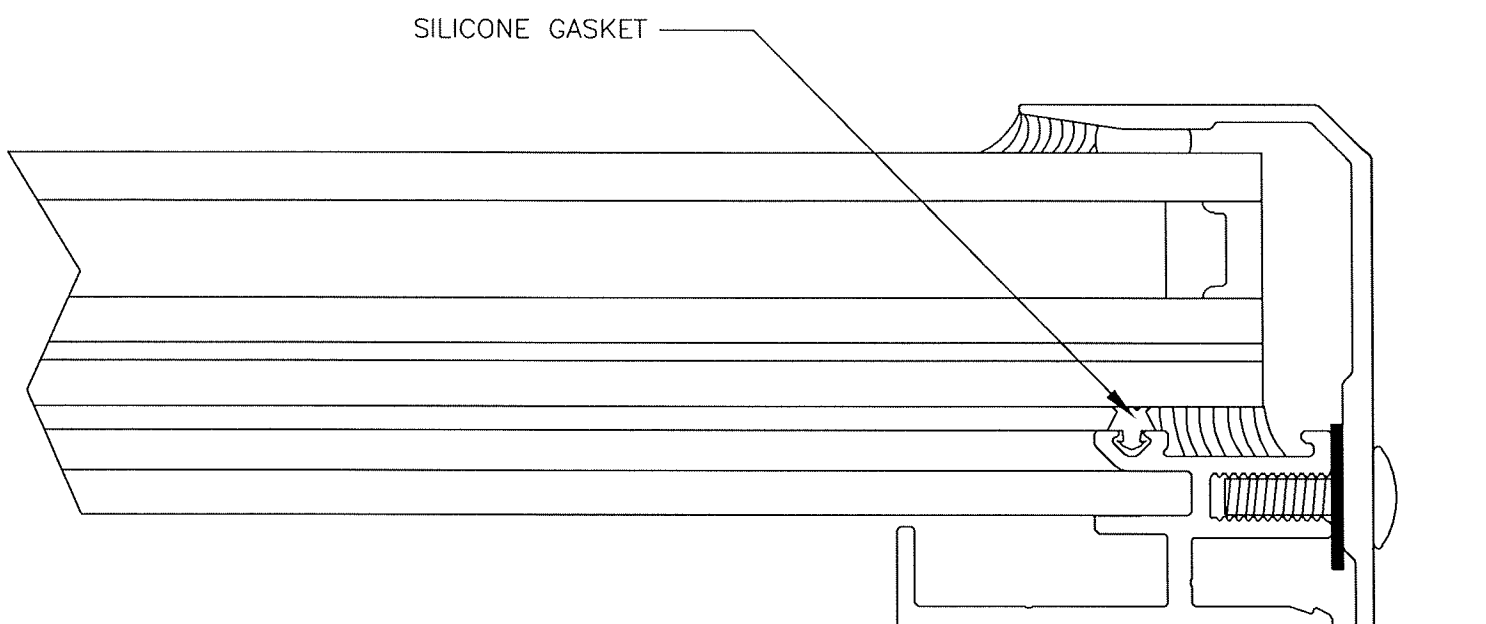
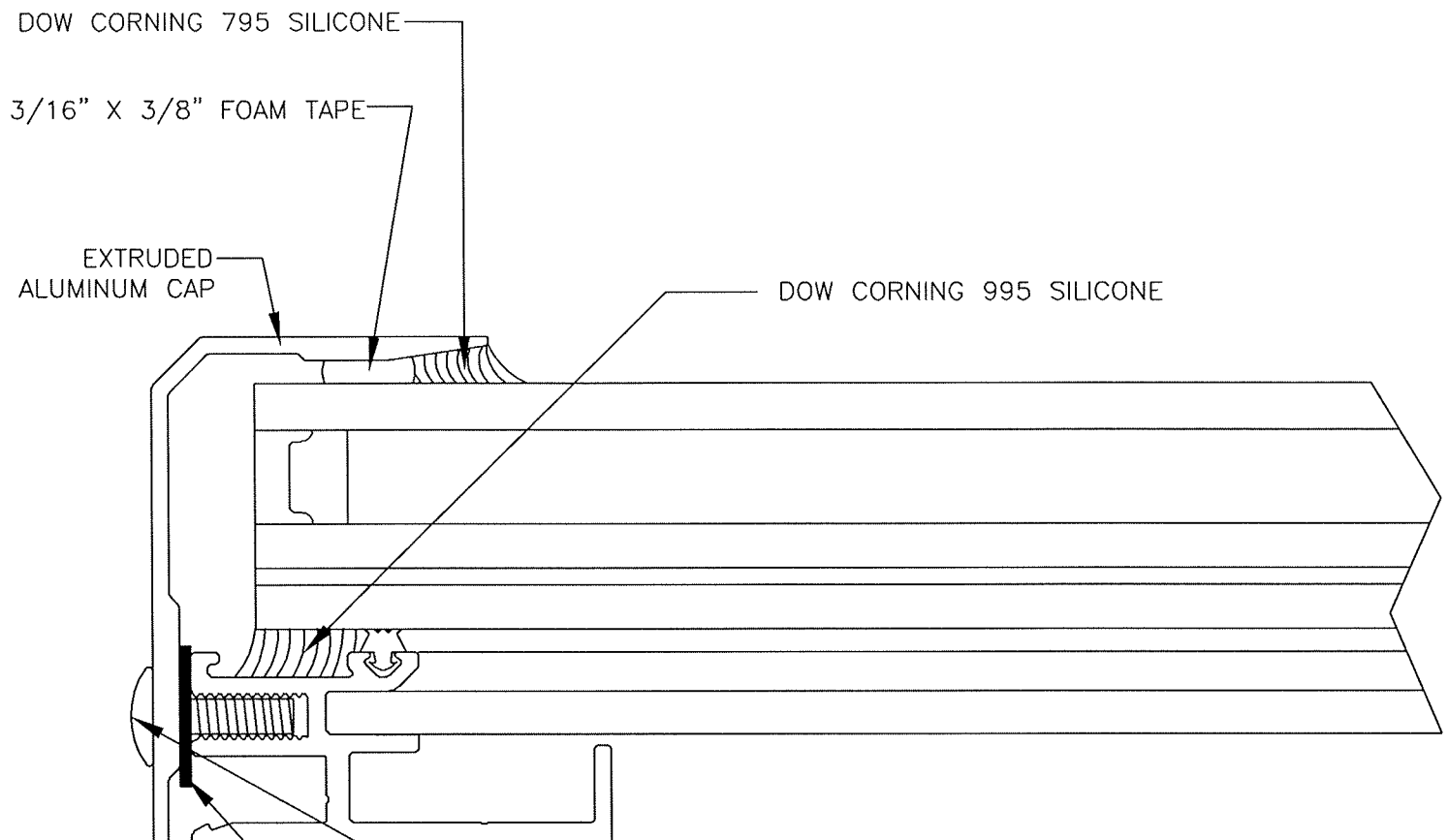
NOTE: # = FASTENER LOCATION

NOTE: \* = SLOT FOR DRAINAGE LOCATION

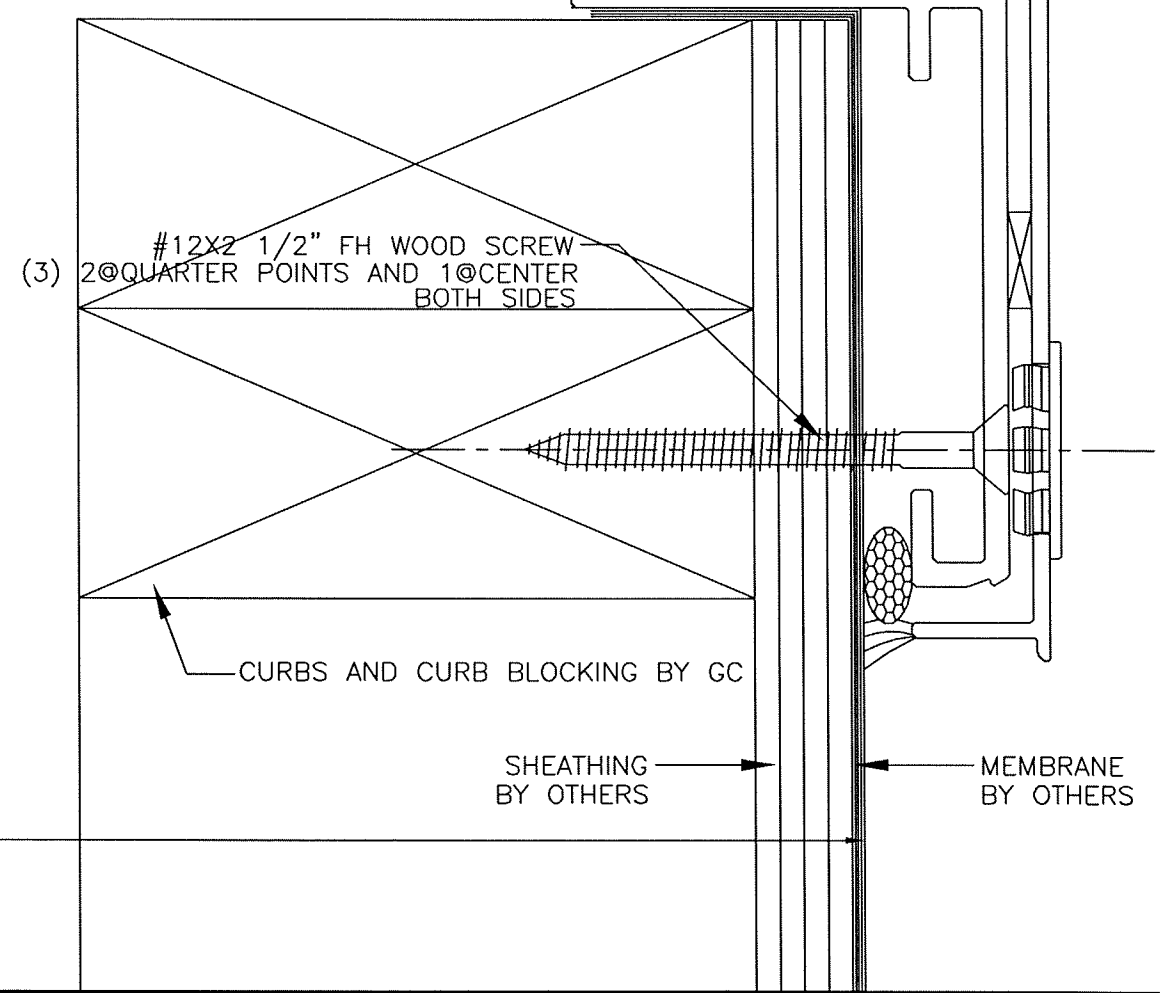
SCALE: 1"=1'-0"

**VIEW PERPENDICULAR TO SLOPE**

				DRAWN	DATE	GAMMANS SKYLIGHT SYSTEMS		ARCHITECT	PROJECT	DRAWING DESCRIPTION	
				CHECKED	DATE	NEWMAN, GEORGIA		CUSTOMER		JOB NUMBER	
				APPROVED	DATE	770-254-1992				SHEET NUMBER	
NO.	REVISION	DATE	BY								



SECTION @ PERIM.



(CURB OD)

**SCALE: FULL SCALE**

				DRAWN	DATE	<b>GAMMANS SKYLIGHT SYSTEMS</b> NEWNAN, GEORGIA 770-254-1992	ARCHITECT	PROJECT	DRAWING DESCRIPTION	
				CHECKED	DATE		CUSTOMER		JOB NUMBER	SHEET NUMBER
				APPROVED	DATE					
NO.	REVISION	DATE	BY							