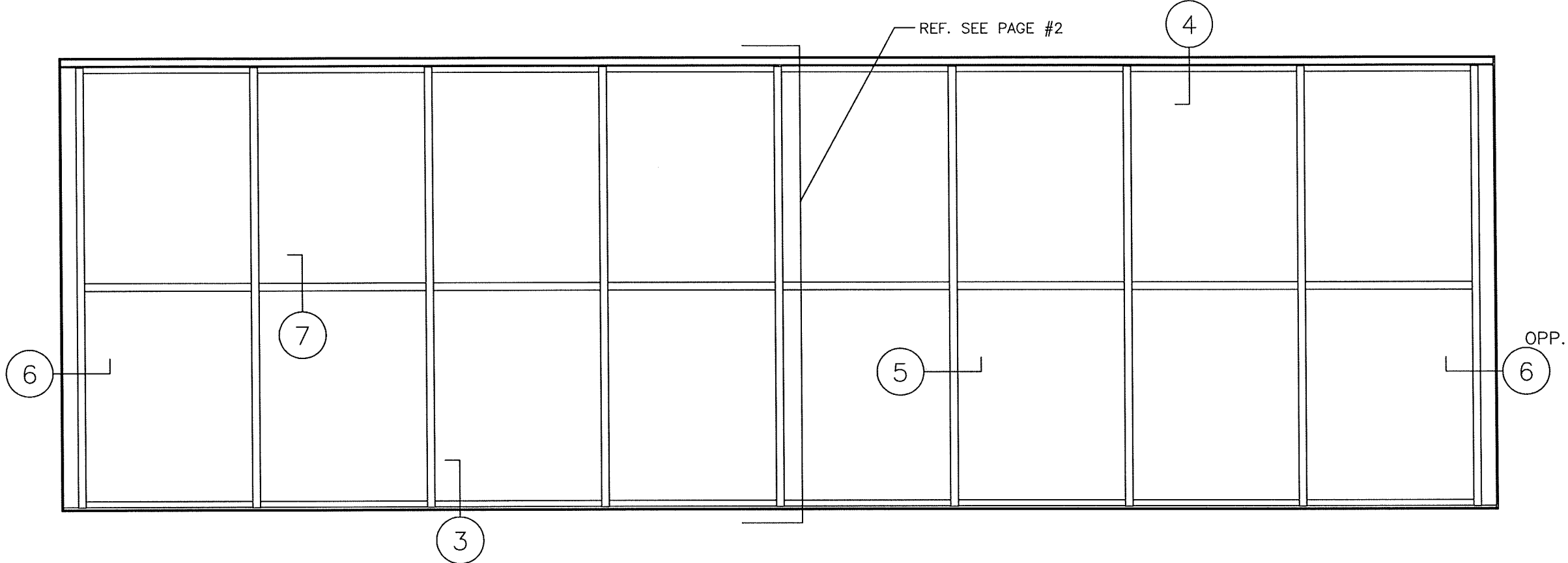
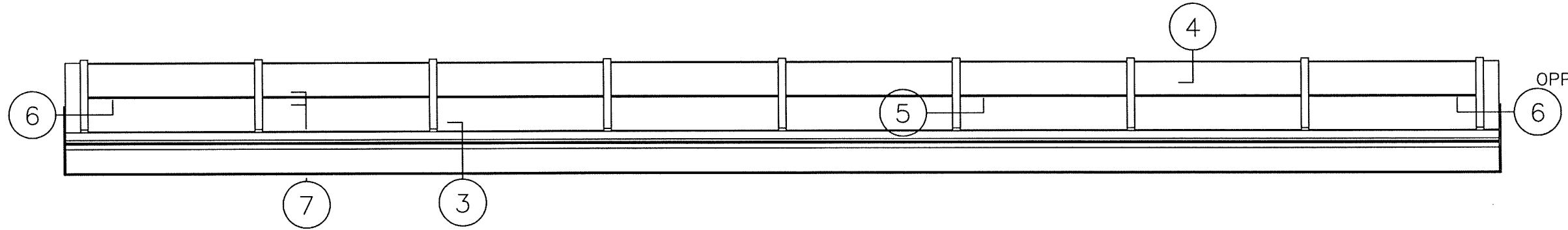


SERIES 500 SINGLE SLOPE



PLAN VIEW



FRONT VIEW

SCALE: 3/8"=1'-0"

DRAWN	R.L.S.	DATE	10-29-18
CHECKED		DATE	
APPROVED		DATE	

GAMMANS SKYLIGHT SYSTEMS
 NEWNAN, GEORGIA
 770-254-1992

ARCHITECT	PROJECT
CUSTOMER	

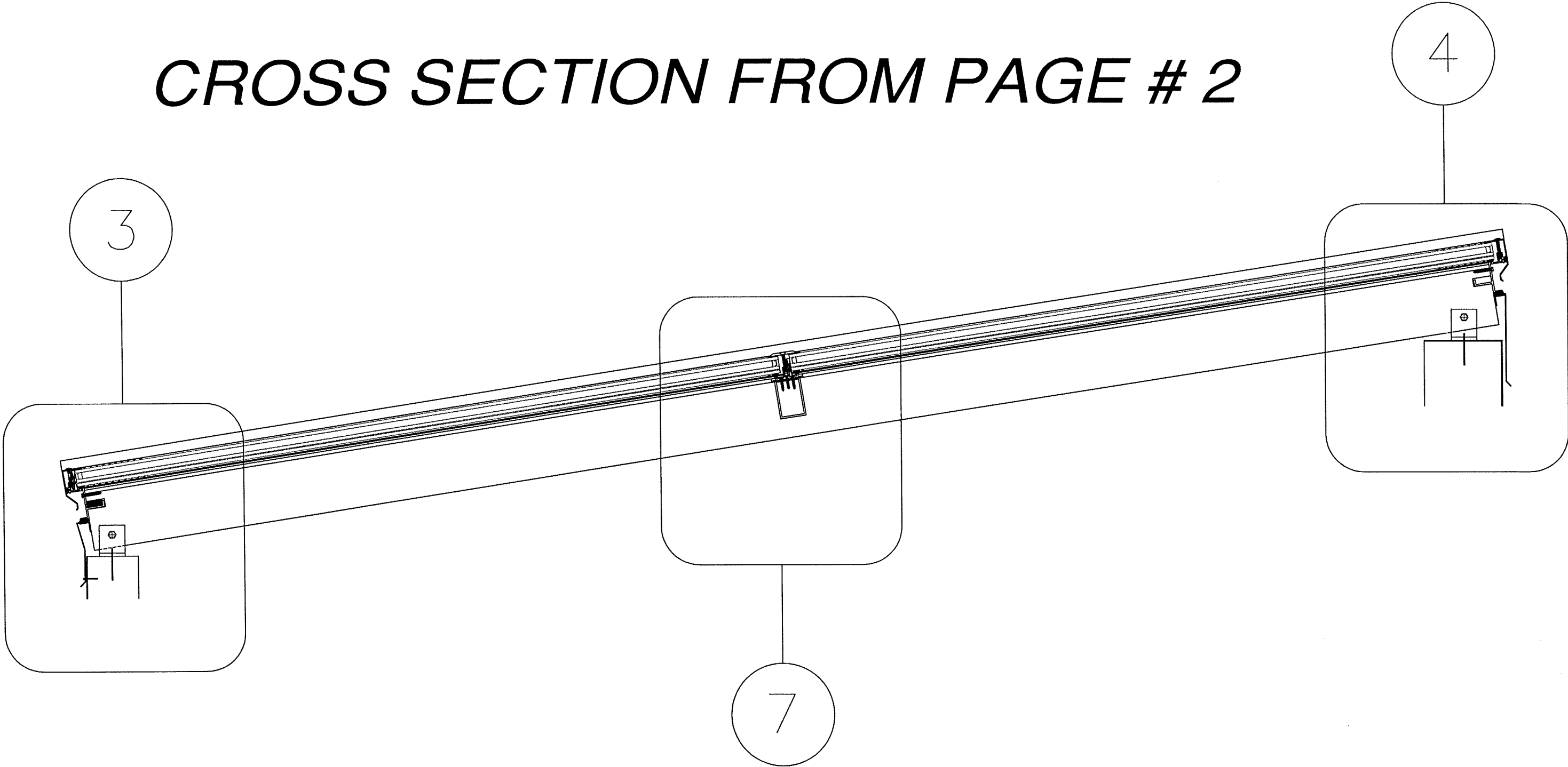
DRAWING DESCRIPTION
SERIES 500

JOB NUMBER	SHEET NUMBER
------------	--------------

PAGE-1

NO.	REVISION	DATE	BY

CROSS SECTION FROM PAGE # 2



SCALE: 1 1/2"=1'-0"

DRAWN	DATE
R.L.S.	10-29-18
CHECKED	DATE
APPROVED	DATE

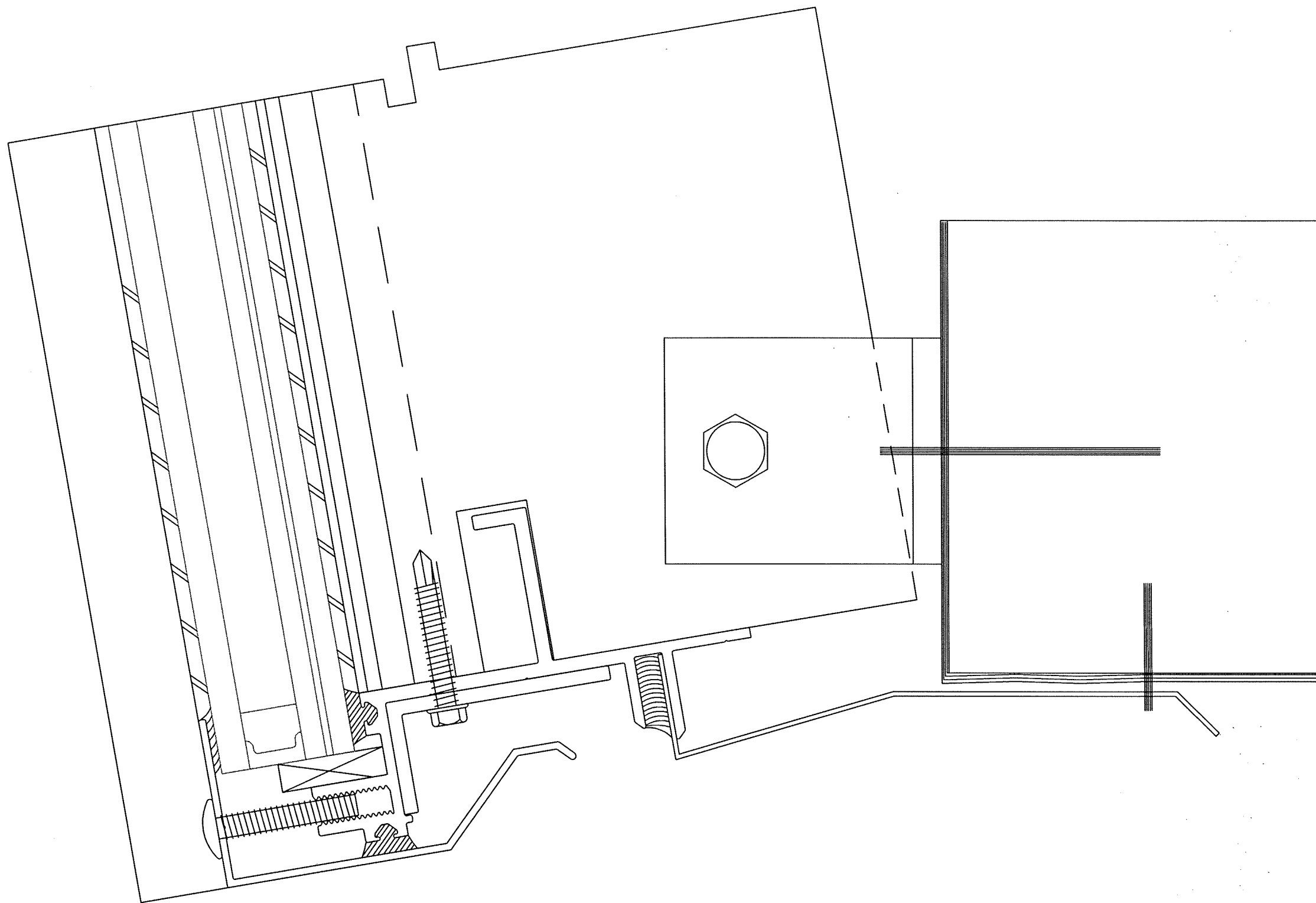
GAMMANS SKYLIGHT SYSTEMS
 NEWNAN, GEORGIA
 770-254-1992

ARCHITECT
 PROJECT
 CUSTOMER

DRAWING DESCRIPTION
 SERIES 500

JOB NUMBER
 SHEET NUMBER

NO.	REVISION	DATE	BY



SECT. @ LOWER PERIMETER

3

SCALE: FULL SCALE

DRAWN	R.L.S.	DATE	10-29-18
CHECKED		DATE	
APPROVED		DATE	

GAMMANS SKYLIGHT SYSTEMS
 NEWNAN, GEORGIA
 770-254-1992

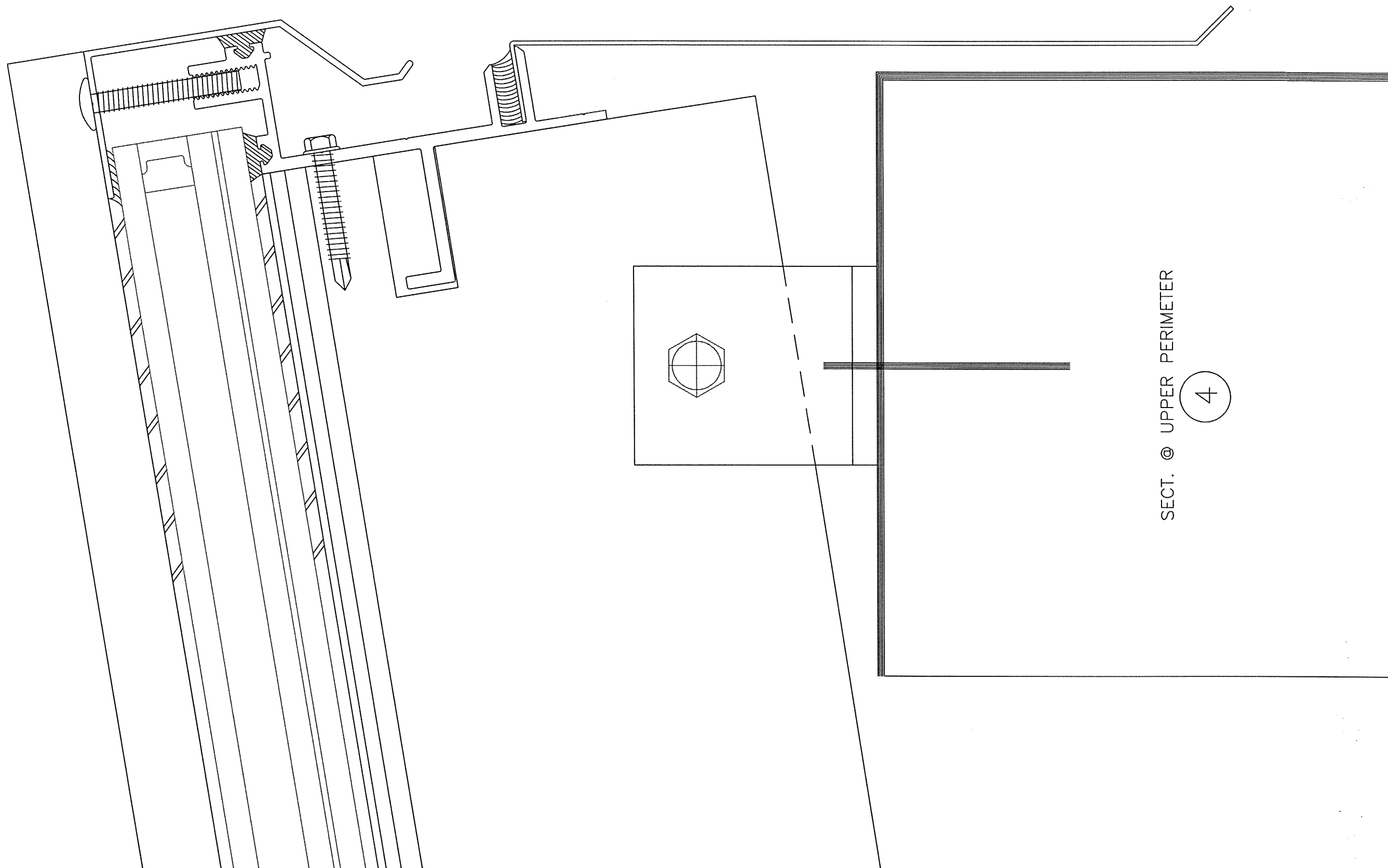
ARCHITECT	
CUSTOMER	

PROJECT

DRAWING DESCRIPTION
 SERIES 500

JOB NUMBER	SHEET NUMBER
	PAGE-3

NO.	REVISION	DATE	BY



SCALE: FULL SCALE

DRAWN	R.L.S.	DATE	10-29-18
CHECKED		DATE	
APPROVED		DATE	

GAMMANS SKYLIGHT SYSTEMS
 NEWNAN, GEORGIA
 770-254-1992

ARCHITECT

PROJECT

DRAWING DESCRIPTION
 SERIES 500

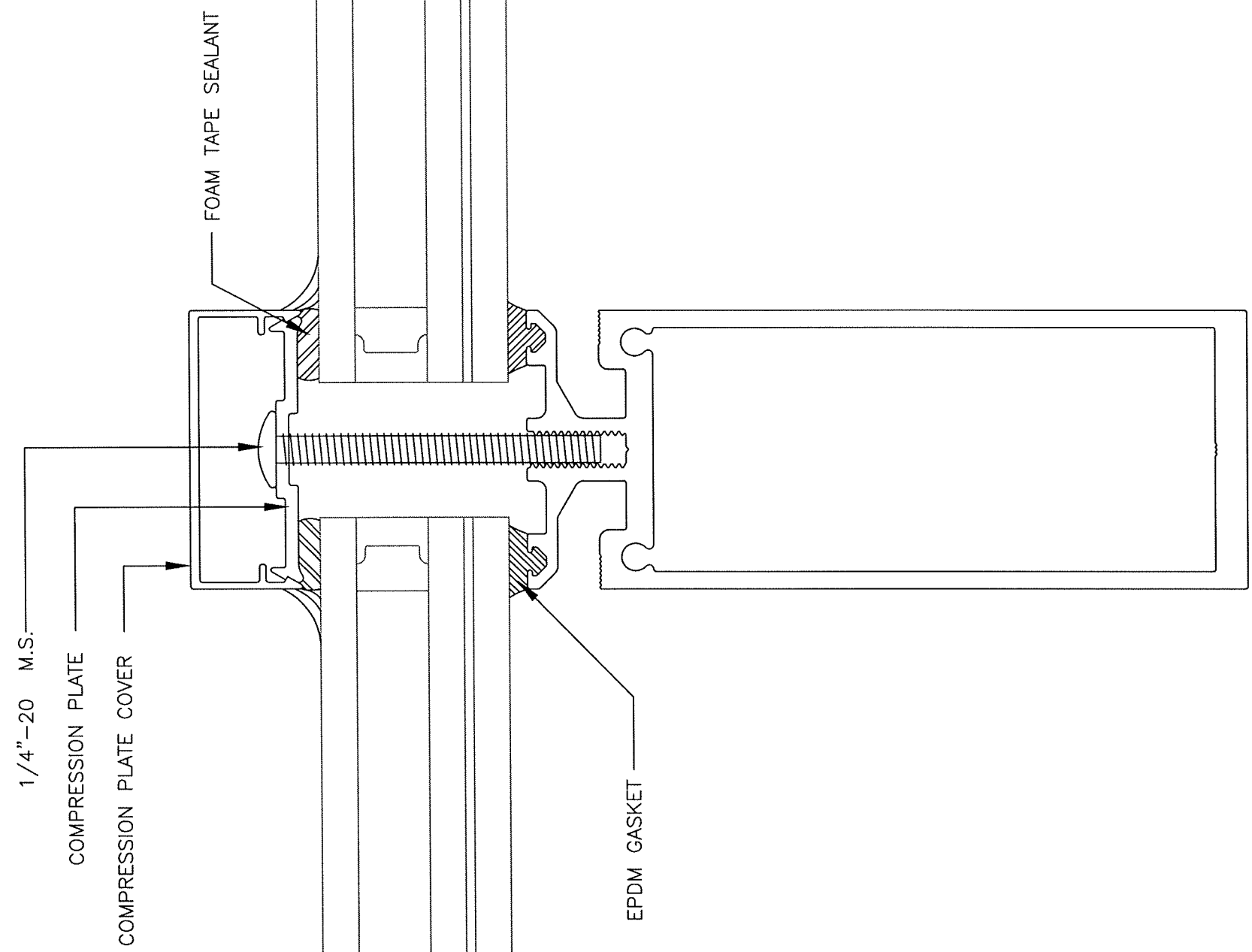
CUSTOMER

JOB NUMBER

SHEET NUMBER

NO.	REVISION	DATE	BY

PAGE-4



SECT. THRU TYP. RAFTER

5

SCALE: FULL SCALE

DRAWN R.L.S. DATE 10-29-18
 CHECKED DATE
 APPROVED DATE

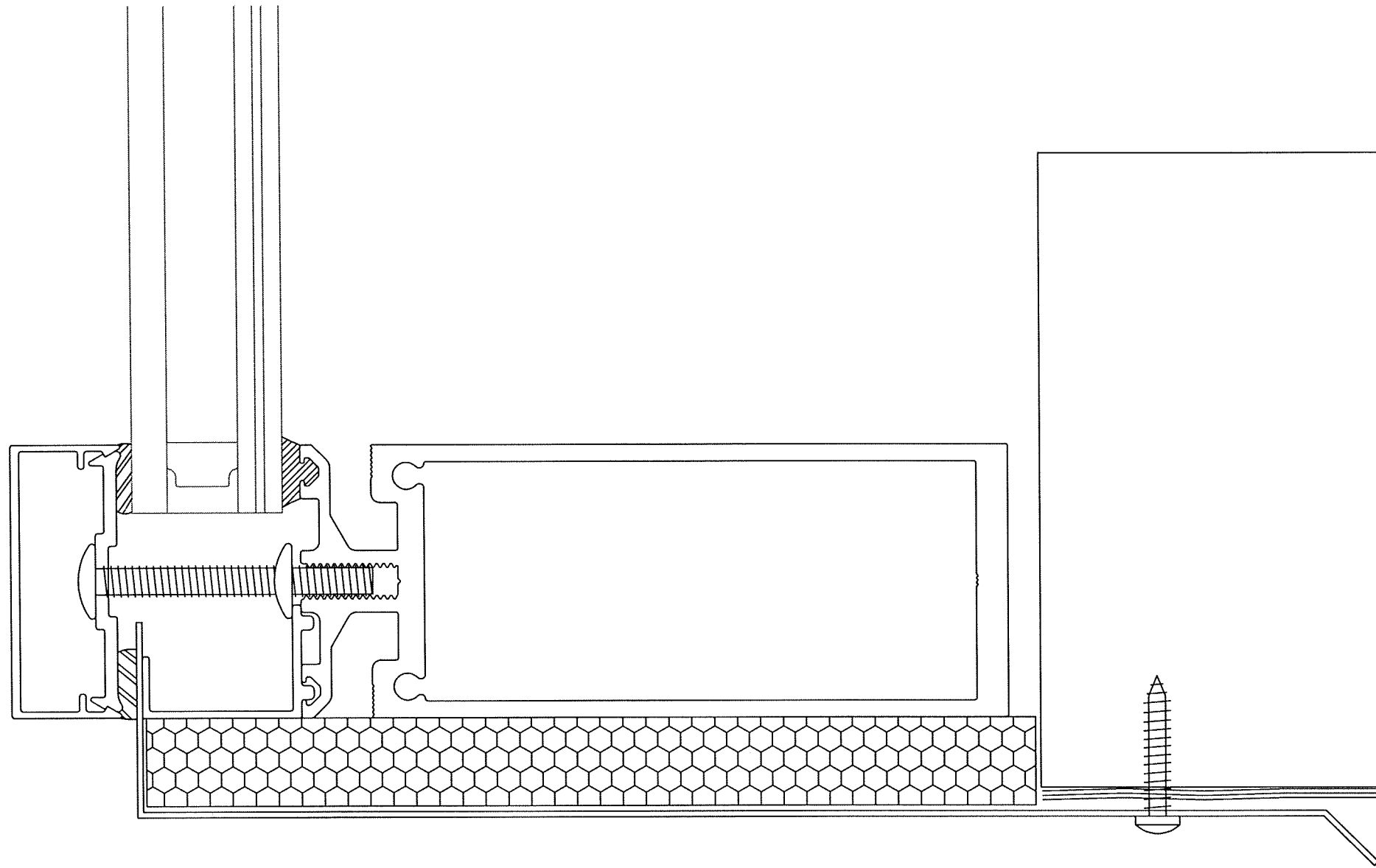
GAMMANS SKYLIGHT SYSTEMS
 NEWNAN, GEORGIA
 770-254-1992

ARCHITECT
 PROJECT
 CUSTOMER

DRAWING DESCRIPTION
 SERIES 500

JOB NUMBER SHEET NUMBER
 PAGE-5

NO.	REVISION	DATE	BY



SECT. THRU END RAFTER

6

SCALE: FULL SCALE

DRAWN	R.L.S.	DATE	10-29-18
CHECKED		DATE	
APPROVED		DATE	

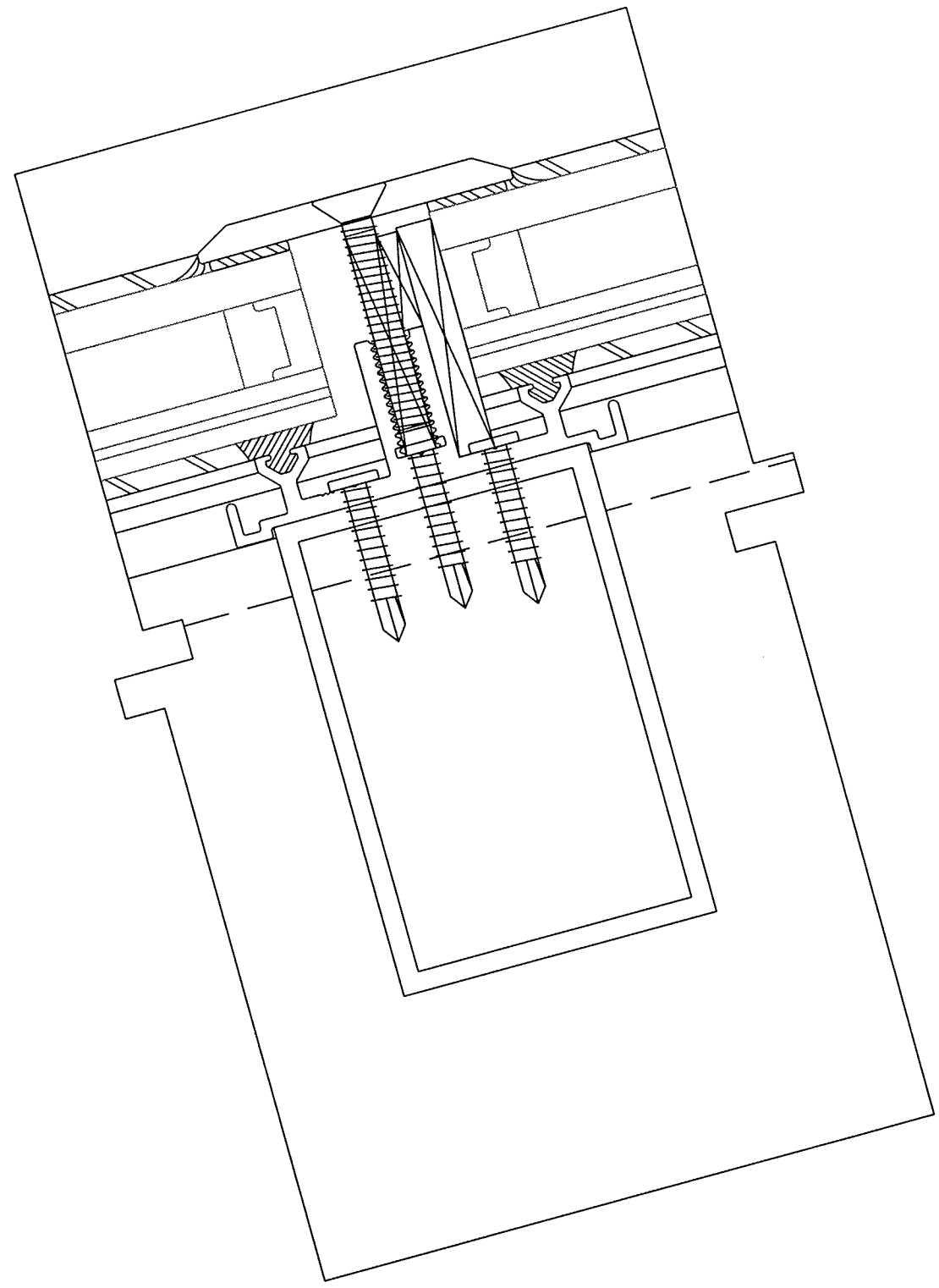
GAMMANS SKYLIGHT SYSTEMS
 NEWNAN, GEORGIA
 770-254-1992

ARCHITECT	PROJECT
CUSTOMER	

DRAWING DESCRIPTION
 SERIES 500

JOB NUMBER	SHEET NUMBER
	PAGE-6

NO.	REVISION	DATE	BY



SECT. THRU HORIZONTAL

7

SCALE: FULL SCALE				DRAWN R.L.S. CHECKED APPROVED	DATE 10-29-18 DATE DATE	GAMMANS SKYLIGHT SYSTEMS NEWNAN, GEORGIA 770-254-1992	ARCHITECT CUSTOMER	PROJECT	DRAWING DESCRIPTION SERIES 500 JOB NUMBER SHEET NUMBER	PAGE-7
NO.	REVISION	DATE	BY							